

4

3

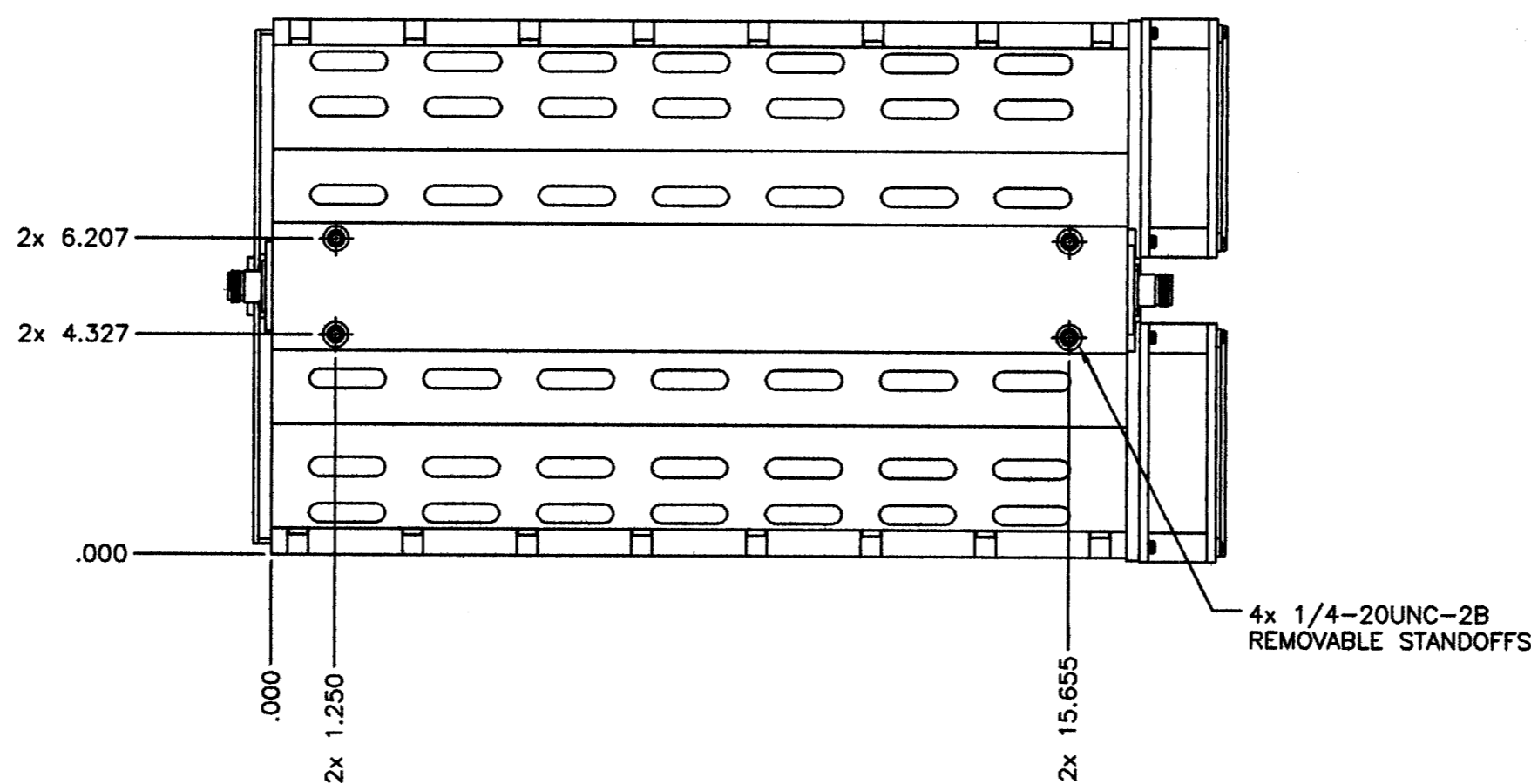
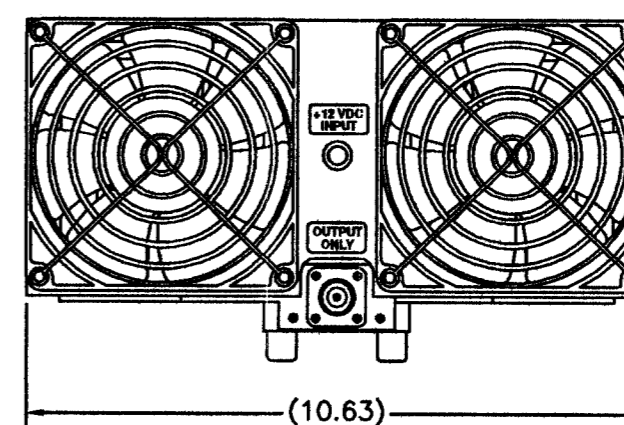
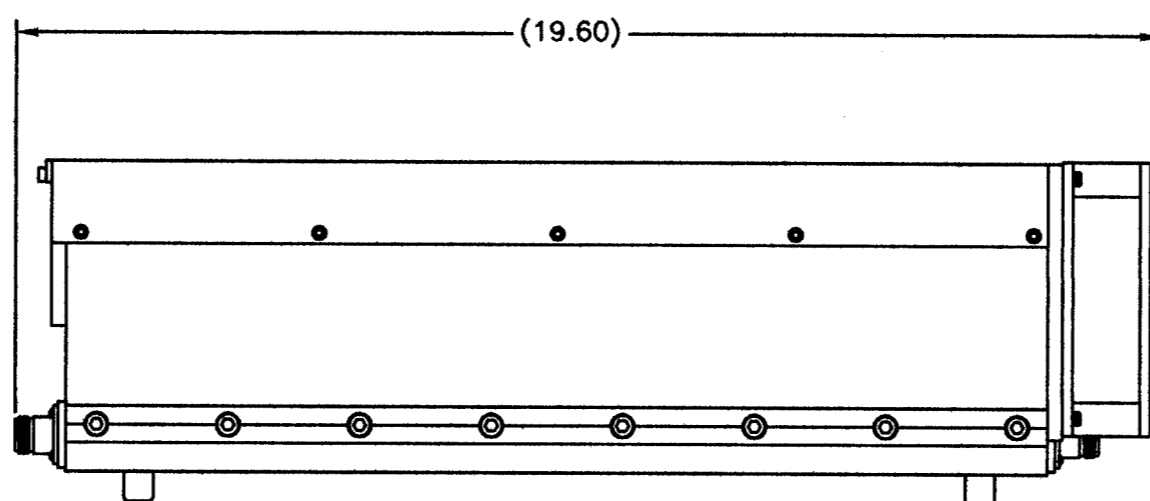
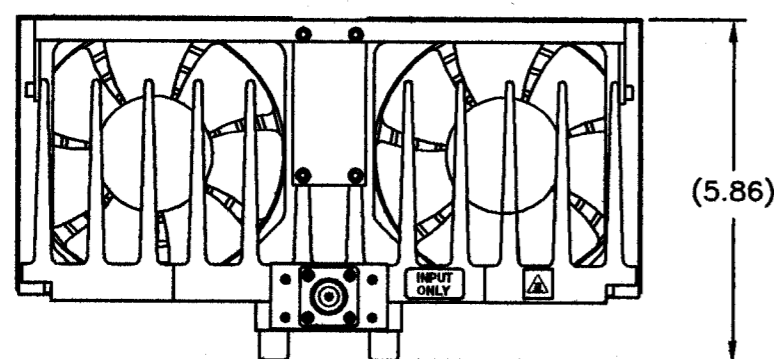
2

1

SPECIFICATIONS:

IMPEDANCE: 50 OHMS NOMINAL
 FREQUENCY RANGE: DC TO 2.4GHz
 VSWR: DC TO 1GHz AT 1.10:1 MAX.
 1GHz TO 2.4 GHz AT 1.25:1 MAX.
 POWER RATING: 1500 WATTS AVG., 4kW PEAK
 -WITH 210 CFM AIR FLOW AT 25°C.
 COOLING FIN AND SHROUD: ALUMINUM, BLACK ANODIZED
 COVER: ALUMINUM, BLACK ANODIZED
 CONNECTORS: N-TYPE FEMALE, TRI-ALLOY PLATED
 FANS: +12 VDC, BRUSHLESS (ACTIVATED ONLY WHEN UNIT REACHES +70°C.)
 - 90 VAC TO 264 VAC, 47 Hz TO 63 Hz, UNIVERSAL TRANSFORMER INCLUDED
 OPERATING POSITION: HORIZONTALLY
 NOMINAL SIZE: APPROX. 19.65"L x 10.63"W, 5.97"H
 WEIGHT: APPROX. 30 LBS.

REVISIONS		DWG. NO.	SHEET	REV
		1500-WA-FFN-XX	1	B
ZONE	REV	DESCRIPTION	DATE	APPROVED
	A	CONVERT TO BEC FORMAT	DMR 1-27-03	MRV
	B	CORRECTED SPECIFICATIONS PER MRV	4-10-03	MRV



XX = DASH NUMBER (dB VALUE)

-30	30	±1.0 dB	-0.5 dB/+1.5dB
-20	20	±0.6 dB	-0.5 dB/+1.5dB
-10	10	±0.6 dB	-0.5 dB/+1.5dB
-06	6	±0.6 dB	-0.5 dB/+1.2dB
-03	3	±0.5 dB	-0.5 dB/+1.0dB

DASH NO.	dB ATTEN.	DC - 1GHz ATTENUATOR	1 - 2.4GHz ACCURACY ±dB
----------	-----------	----------------------	-------------------------

DIMENSIONS HEREON ARE FOR CUSTOMER CONVENIENCE AND REFERENCE ONLY. TOLERANCE TO BE APPLIED ONLY WHERE INDIVIDUALLY STATED ON THE RESPECTIVE DIMENSION. -DO NOT SCALE DRAWING-

UNLESS OTHERWISE SPECIFIED DIMENSIONS ARE IN INCHES TOLERANCES ARE:
 FRACTIONS DECIMALS ANGLES
 ± 1/64 .XX ± .010 ± 30°
 .XXX ± .005
 MILLIMETERS
 .X = ± .4
 .XX = ± .12
 DO NOT SCALE DRAWING

THIS DRAWING IS THE PROPERTY OF THE BIRD ELECTRONIC CORPORATION. THE DESIGNS AND SPECIFICATIONS DISCLOSED HEREON ARE PROPRIETARY AND SHALL NOT BE REPRODUCED, NOR COPIED, NOR USED AS THE BASIS FOR THE MANUFACTURE OR SALE OF APPARATUS OR DEVICES WITHOUT THEIR EXPRESS WRITTEN CONSENT.



MATERIAL	APPROVALS	DATE	TITLE
	D.M.RINK	1-27-03	ATTENUATOR, CONVECTION COOLED N-TYPE FEMALE/FEMALE, 1500W
	MARK V	3-17-03	
FINISH	AUTOCAD		
SIZE	FSCM NO.	DWG. NO.	REV
C	70998	1500-WA-FFN-XX	B
SCALE	1:1	COMM CODE	AT1
SHEET	1 OF 1		

4

3

2

1